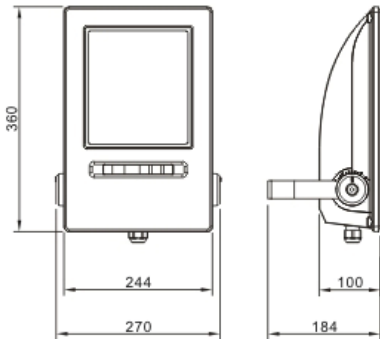




FL Series- 1

Technical Specification

Total Lighting output: 3000 / 4500 / 6000 LM
 Power Factor: >0.95PF
 Operating Temperature: -25°~45°
 Life Time: 30000 hrs
 Die cast aluminium body
 High purity Aluminium reflector
 Tempered glass



Model	Power	Input Voltage	Color Temperature	CRI	Luminaire efficiency
FLC-40-SS3100 A	40W	90-260 V/ 50Hz	3000 / 6000 K	>70 RA	75LM/ W
FLC-60-SS3100 A	60W				
FLC-80-SS3100 A	80W				